



208-798-4449

Pelican Whole House Filter & Salt Free Softener



If you are interested in filtering chlorine and chemicals in your water as well as eliminating the negative effects of hard water without the use of salt then the low maintenance, easy-to-use Pelican Combo Series is your answer.

Pelican Water Systems provides the new standard in home filtration and salt free water softening products. Quality, innovation and proven performance are the reasons Pelican Water Systems are enjoyed by so many families across the world. With today's water supply becoming increasingly contaminated with each passing day, conservation of our fresh water supply has never been so important. It's time to see and feel the Pelican Difference for yourself!

Benefits of Whole House Filtration

- Softer skin and hair
- Great tasting coffee and tea
- Better than bottled water from every tap in your home
- Bacterial Static Media - inhibits bacterial growth
- Does **NOT** waste water
- Requires **NO** electricity
- *Easy* installation (inside or outside)
- No drain required
- 5 year **performance guarantee**
- Limited **Lifetime warranty** on tank and parts

Benefits of Salt-Free Water Softening

- The only salt free water softener certified 99.6% effective.
- WQA Gold Seal Certification Body accepted "Salt Free Water Softener"
- Zero waste water
- Leaves in beneficial minerals
- **Does not require electricity** to operate
- Naturally softened water **without** salt
- Conditioned water without the slippery feel
- Prevents / removes hard water scale from plumbing and appliances
- Proven **third party tested no salt water softener**
- A no salt water softener saves you money, [learn how!](#)
- Great for lawn and gardens; Better drinking water for pets
- Can be installed inside OR outside (If protected from freezing weather)
- **Simple installation**, system comes ready to install
- Confidence in buying from the **leader in salt-free technology**



All Pelican Combo systems come with a 5 micron pre-filter system that helps protect your new filter system and your home appliances from the damaging effects of sediment (dirt & debris) build up. The sediment in city or well water can clog faucets, damage appliances and even change the taste of your drinking water. The pre-filter system filters down to 20 times smaller than the diameter of a human hair or 5 microns in size.

Tank one

The first tank is the Carbon Series premium whole house water filtration system. This premium system is designed/developed to significantly reduce chlorine, chloramines, sediment and/or particulate matter, tastes, and odors that may be present in your water. This deluxe, high-capacity, virtually maintenance-free system is easily installed in any home and has a 600,000.1,000,000 gal/5-year Performance Guarantee, the best value on any whole house water filtration system in America! A 5-micron pre-filter system is also included with each system to filter out dirt or debris from entering the home.



Tank two

The second tank is the NaturSoft Salt-Free Water Softener, the most environmentally conscious hard water softening/conditioning system available, Pelican's Proven and Certified technology that stops the negative effects of hard water without the use of salt or electricity. The Pelican NaturSoft system also actively removes any existing hard water scale formation in pipes and water heaters.

5-Micron Sediment Pre-filter System

Why Pelican includes a sediment pre-filter system The sediment pre-filter system reduces particulates in the supplied water down to 5 micron (20 times smaller than a human hair) in size. Routine replacement of this 5-micron sediment filter will increase the effectiveness and protect plumbing and appliances from excess sediment. With average use, each filter is effective for approximately 6-9 months.

Importance of a sediment pre-filter system Pelican believes that preventing dirt and debris from entering the water system or your home is a good thing. It's like the A/C filter in your home or the fuel filter in your car. The pre-filter system removes all of the little particles in your water that can clog aerators, shower heads, and build up in your hot water heaters, dishwasher's sprayers, etc.

Why the sediment pre-filter housing is blue and not transparent. The sediment pre-filter housing is non-transparent blue for a good reason. Having a clear housing allows light to penetrate the housing which can cause algae to grow in the pre-filter housing. A blue non-transparent housing prevents the light from coming in contact with the water, thus eliminating the possibility of algae forming from light exposure.

Where does the sediment pre-filter system mount? The sediment pre-filter system is mounted to a secure wall prior to the Pelican Water System being installed. The sediment pre-filter system includes your first cartridge, spanner wrench, rust-free aluminum mounting bracket and screws for mounting. The entire pre-filter system is approximately 7 x 13H, very compact.

Where does the sediment come from? Sand, sediment, and debris can come from the water lines that supply your water from the city. The underground water lines in some cities or towns can be up to 50 years old. It has been said that in some cases because of defective or aging pipes as much as 15-40% of the water that leaves the water plant never makes it to the homeowner. Water leaking out of the pipes also lets untreated water or debris (seep, contaminate, drain, or flow) into the water supply.

Damaging effects of chlorine in your water

Drinking chlorinated water

The main function of carbon filters is to remove the bad taste and smell from the drinking water. Carbon filters do not require a lot of maintenance, and with proper sediment filter changes and media changes, can provide the best tasting water. With improved taste, the filters also remove odor providing you with fresh tasting drinking water. They provide an excellent value for your money and definitely a better choice than bottled water.

Cooking with chlorinated water

If you've ever cooked pasta in filtered water or made coffee or tea using filtered water you can definitely tell the difference. Chlorine is a chemical that is adsorbed into your foods and make your sauces and hot drinks taste foul. All of the top restaurants, chefs and even coffee houses use filtered water now so they can produce a quality product every time.

Showering with chlorinated water

Just like swimming in a chlorinated pool, showering in chlorinated water affects your skin and hair. Over time the chlorine will dry out your hair, requiring the use of conditioners for your hair and for those with chemically treated hair (colored) you may also bleach out your color. Your skin is an organ whose pores soak up chlorine when showering and vapors from steam. Because your skin does this, it can leave your skin itchy and uncomfortable.

Pelican Combo System Featured in *Healthy Mom & Baby Magazine*

Pelican Water's "Premium Filtration System" was recognized as a Healthy Mom & Baby's parent-preferred baby items. It's becoming increasingly more difficult to protect our children from the dangerous chemicals and additives used to 'disinfect' our drinking water. The best investment you can make for your the well-being of your family AND your home is install a Pelican Combo System.

The Pelican Combo System combines the benefits of a 5-micron prefilter, a Carbon Series whole-house water filter and the NaturSoft salt-free water softener.

Premium 4-Stage Whole House Water Filtration System

Stage 1

5-Micron Pre-filter System - The sediment pre-filter system reduces sand, silt, sediment and debris in the supplied water down to 5 micron (20 times smaller than a human hair) in size. Routine replacement of this 5-micron sediment filter will increase the effectiveness and protect plumbing and appliances from excess sediment. With average use, each filter is effective for approximately 6-9 months.

Stages 2 & 3

Granular Activated Carbon Media's (GAC) - Pelican utilizes a blend of high-grade coconut shell and bituminous coal based activated carbons in the Pelican Carbon Series Premium Whole House Water Filters. The purpose of combining two types of carbons is to gain a wider range of contaminant filtering capabilities offered from each type of carbon. [Learn More](#)

These media are designed to filter chlorine, chloramines, pesticides, herbicides, pharmaceuticals, industrial solvents and hundreds of other contaminants that may be present in your water.

[View more WQA and EPA recommended uses for granular activated carbon.](#)

Stage 4

Pelican Media Guard - Copper and Zinc Oxidation Media (KDF-55) - We also include a patented bacteriostatic copper-zinc reduction oxidation media for the purpose of preventing and reducing the potential growth of bacteria and algae.



The Pelican Premium Water Systems are wrapped in premium stainless steel to ensure long life, durability and unsurpassed quality ... Not to mention they look amazing!

How It Works - Pelican Premium Carbon Filtration System

Pelican Premium Carbon Filtration System (tank 1 of 2)

Upflow versus Downflow

The Pelican Carbon Series Whole House Water Filter Systems are specially designed as an Up-Flow System that does not require any special process or instructions for replacing the media. Other Down-Flow Systems on the market do not allow for the media replacement as an option because the homeowner would have to have special knowledge or tools to complete the task. Many water filtration experts agree that down-flow systems often have channeling issues in the media making them less effective in filtering out chemicals in the water because the water is unable to reach the unexpired media.

Channeling is the process where small tunnels form in the media allowing water to flow in the same channel every time. Water always takes the path of least resistance. The Pelican Systems force the water in an Up-Flow direction up from the bottom of the tank in a swirling motion causing the carbon media to swirl. This motion allows the water to have maximum contact with the carbon media resulting in a very effective filtration process without the possibility of channeling. This is found to be the most effective design in whole house water filtration systems.

Replacement Media Vs. Replacement Tank

It is important to understand how the carbon media inside the Pelican Carbon Series Systems works; Adsorption: the process by which matter (chemicals) adheres to the surface areas of a solid adsorbent material (carbon media). In layman's terms the chemicals in your water are adsorbed into the carbon media on contact. The carbon media does not release any chemicals back into your water once they are adsorbed. We offer the replacement media as a more cost effective and environmentally friendly approach. When it comes time to replace the media, you are not throwing away a tank, fittings, or having to try and dispose of a complete system. Not to mention the cost of hiring a plumber to remove the old tank and install the new one.

Some companies are trying to discourage this process and use tactics to scare the consumer into thinking that they must buy a completely new system when the media expires; this is unnecessary and not very cost effective. The media is the fuel for the system (it's like the gas in your car). If you had to replace your car every time you ran out of gas that would be crazy, the same goes for the filtration system. The tanks and fittings are designed for this specific application. The cost of the system does not only include the media inside the tank, it includes many factors: the tank, fittings, media, and labor to build, shipping, advertising, and overhead. The media inside the tank is only part of the cost of a complete system therefore you cannot rate the effectiveness of the media based on the low cost to replace it.

No Water Waste



The Pelican Carbon Series Systems use an up-flow design and do not waste any water while filtering and softening/conditioning the water for your entire home. While other systems use a down-flow design requiring them to backwash once or twice a week wasting 100-300 gallons of water each time they backwash. The fact

is that we cannot afford to waste one drop of water. Water is one the most important resources we have on earth.

No Electricity



The Pelican Carbon Series Systems eliminates the need for an electronic head for backwashing because of its up-flow design. No moving parts means less maintenance and no service calls for damaged moving parts that render the system unable to filter your water.

Pelican Salt-Free Water Softener (tank 2 of 2)

How It Works - Pelican Salt-Free Water Softener

What is water hardness?

Water is known as the world's universal solvent. Its ability to dissolve rock and sediment has created some of the world's most stunning sights, like the Grand Canyon. The result of dissolving rock and limestone is the introduction of high concentrations of calcium and magnesium, or 'hard water'.



The amount of calcium and magnesium in the water varies based on the amount needed to balance that water. As that water evaporates the concentration of minerals grows and results in water that forms scale. This is called 'saturation'.

Scale is not a random occurrence. Scale is the result of too much calcium and magnesium ('hard water') being present in your water. The water attempts to balance itself by precipitating out dissolved calcium and magnesium in the form of scale and limestone deposits

What does hardness scale do?

Scale can have an adverse effect on many appliances in the home including the dishwasher, water heater, fridge, sink faucets and shower heads. Scale will clog these items or cause damage to o-rings and valves that result in costly repairs.



In your water heater, heating up the water causes scale to form quicker and can result in your heating element burning out much faster than normal. 'Hardness' that is trying to scale can also interfere with your detergents and form soap scum.

How "water softeners" deal with "hard water"?

"Hard water" problems can be taken care of with a water softener. A water softener is any device, substance or process that when applied will result in any, or all of the following



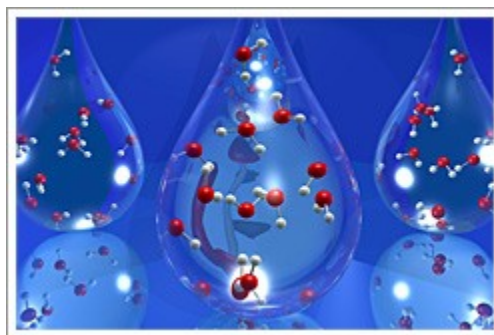
benefits to varying degrees in the areas of scale reduction, improved cleaning / housekeeping and subjective improvements in personal care. Pelican's salt free water softener offers you independent third party performance tested scale prevention, along with improved cleaning and housekeeping benefits while also offering you a reduction in detergent use. [Learn more](#)

Physical Water Treatment - How it works

Pelican Natursoft Salt Free Water Softeners "soften" water by taking varying amount of minerals from solution through precipitation as well as reducing the water's surface tension. More importantly, without the use of chemicals, physical water treatment also produces superior scale reduction and even remove existing scale deposits other water treatment methods lack.

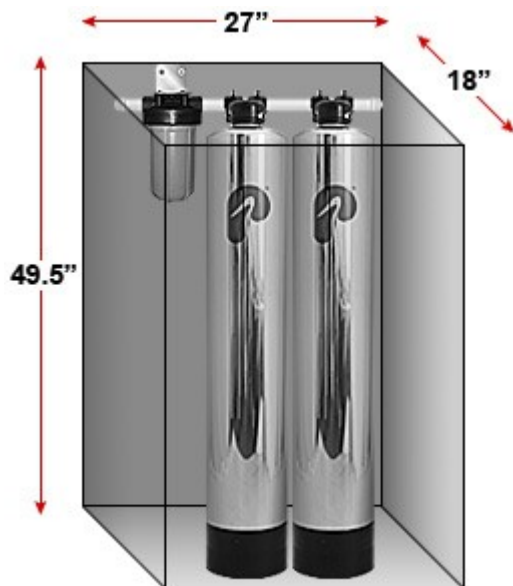
Physical Water Treatment - The Science Behind it

The NaturSoft media has calcium carbonate crystal structures on its surface that will attract excess dissolved hardness and remove it from solution by integrating it into the crystal structures on the media. This results in the crystals on the media surface to grow larger. The movement of water and friction among the individual media granules rubbing against each other will cause fragments of these newly grown crystal structures to be fragmented off the media and released into the passing water.



Those free flowing calcium carbonate crystals then continue to travel through a plumbing system as suspended particles where they perform the same role as the media in the NaturSoft system itself, i.e. acting as seed crystals further buffering the effects of any changes in the scale potential of the water downstream by absorbing excess mineral into their structure and themselves spawning the creation of additional micro crystals.

[Learn about the science](#) behind the NaturSoft Softener by Pelican.



SYSTEM DIMENSIONS - PSE1800

PSE1800

Tank Size: 9" x 49.5"

Max Flow Rate: 10 GPM

Connection Size: 1"

Operating Pressure: 25-80 PSI

Operating Temperatures: 36-120 F

Max Hardness: 75 GPG (1,282 mg/L or ppm)

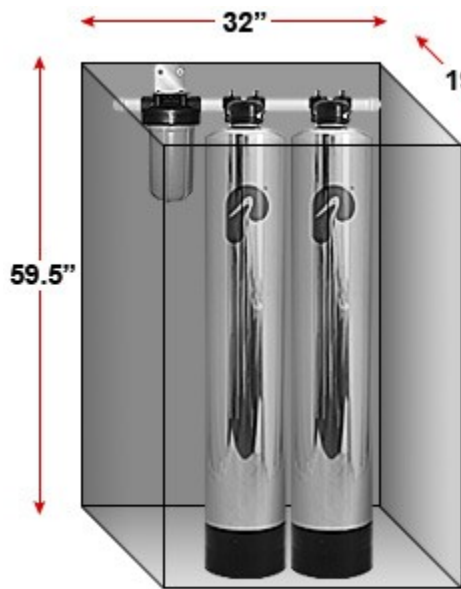
Filter/Media Change:

Sediment Prefilter: Every 6-9 Months

Tank 1 Media (PC600): Every 5 years or 600,000 Gal

Tank 2 Media (NS3):No Replacement - Lifetime Media

PSE2000



SYSTEM DIMENSIONS - PSE2000

Tank Size: 11" x 59.5"
Max Flow Rate: 15 GPM
Connection Size: 1"
Operating Pressure: 25-80 PSI
Operating Temperatures: 36-120 F
Max Hardness: 75 GPG (1,282 mg/L or ppm)
Filter/Media Change:
Sediment Prefilter: Every 6-9 Months
Tank 1 Media (PC1000): Every 5 years or 1,000,000 Gal
Tank 2 Media (NS6): No Replacement - Lifetime Media

System Includes

- Sediment pre-filter system with mounting hardware
- Pelican Carbon Series filter preloaded ready to install
- Pelican NaturSoft system preloaded ready to install
- Installation guide

Manufacturer's Warranty Information

Pelican Limited Lifetime Warranty on all filter housings, tanks, in/out heads, and the bypass valves against manufacturer's defects.

Pelican Water ("Pelican") warrants to the end user ("customer") that its tanks, valves, in/out heads, bypass's, fittings, natursoft media and housings ("Covered Items") will be free from defects in material and workmanship under normal use and service for the life of the system. No warranty is made with respect to defects or damaged due to neglect, misuse, alterations, accident, misapplication, physical damage, or damaged caused by fire, acts of God, or freezing.

Private Well Water Conditions (water supplied from homeowner's private well): The water treated shall be free of hydrogen sulfide (sulfur gas / rotten egg smell), oils or high levels of copper (>1.30 mg/L). Any will coat the surface of the media and will interfere reducing its efficiency. If any iron or manganese is present in the source water, you must pre-treat the water. If any of these issues exist, you should employ pre-treatment prior to using this technology. Please contact customer service at 1-877-842-1635 for your pre-treatment needs.

Pelican Performance Guarantee

The Pelican Carbon Series is guaranteed to reduce chlorine, and chloramines to non-detectable levels for 5 years or 600,000 (PC600)/ 1,000,000 (PC1000) gallons or Pelican will send replacement carbon media to the customer at no charge. That's our promise. That's why people choose Pelican.

Frequently Asked Questions

Q. What is the difference between water spots (evaporative deposits) and hard water scale?

Hard Water Scale

Hard water scale buildup is mineral deposits that form inside your water heater, pipes, shower heads and icemakers. This scale occurs because the water is over-saturated with hardness minerals causing those minerals to come out of solution and form scale on pipes and heating elements. This scale can reduce water pressure and damage appliances.

Evaporative Mineral Deposits

Any time water is allowed to evaporate on the outside of faucets, shower doors and counter tops, dissolved solids and minerals are left behind. When these solids are left un-cleaned for a length of time they mix with soap and dirt around them to create a hard to remove water spotting deposit. Since the water has already evaporated, the scale formed is no longer related to the water, and adding a salt water softener will not prevent this, because salt softeners leave sodium in the water, which will also leave water spots.

The Natursoft Solution

A water softener will not stop water spotting. The Pelican no salt water softener will help reduce the amount of heavy cleaning you need to do to remove those spots and will **eliminate** hard water scale in your pipes and appliances. When treated with Natursoft, minerals that are left behind on surfaces when the water evaporates do not bond or stick to the surface around them, making cleaning easier. With Hard water scale prevented, the no salt water softener has protected your appliances from damaging hard water.

Q. Does the Pelican Combo Series pre-filter system remove COPEPODS from the water? **Yes.** Since COPEPODES range from 30 microns to 50 microns in size, the supplied 5-micron pre-filter will remove the COPEPODS. This method of COPEPODS filtration is approved based on the article found at <http://www.oukosher.org>.

Q. How easy is it to install the Pelican Combo Series Premium Whole House Water System? The Pelican combo will be shipped pre-assembled (the tank comes pre-loaded) and Ready-To-Install which greatly simplifies the installation process and also reduces installation cost and time. Detailed installation instructions and supplied fittings make it easy to understand and install the filter system. Also, you or your plumber may contact our knowledgeable Customer Service Technicians for further assistance during the installation if necessary. 1-877-842-1635

Q. What is the cost to maintain the Pelican Combo Series?

The cost to replace the media for the Pelican Carbon PC600 is currently only \$156.00, on the PC1000 \$216 including free shipping. Replacing the carbon media instead of the tank makes the replacement process simple and very cost effective. No replacement is required on the NaturSoft tank.

Q. What is the blue housing installed before the system for?

Every system Pelican offers comes with a 10" 5 micron sediment filter system. This sediment filter is used to keep sand and sediment away from your system and your home. You will change the filter every 6-9 months, depending on sediment levels. The pre-filter will let you know its time to change it when you notice a slight drop in water pressure meaning the filter is full.

Q. Is the Pelican Natursoft a water softener? Yes, the Pelican Natursoft is a salt free water softener. Pelican worked closely with the Water Quality Association (WQA) Gold Seal Certification Body and a team of authorities on water treatment certification to define what a water softener was and help expand education to consumers about the differences between an ion exchange (salt) and T.I.C. (Salt Free) water softeners. Education has always been an important step in Pelican's mission statement.

With all the new technologies being developed for water treatment, its important that your water treatment company help educate the consumer on new technologies and how they benefit you. The [Gold Seal Body of the WQA](#) agrees that Pelican's Natursoft system is a water softener and with third party testing showing 99.6% scale prevention, Pelican is the only salt free water softener with a proven track record on the market. Q. What makes NaturSoft different from similar technologies?

Unlike other systems on the market, the NaturSoft systems requires only 3 seconds of contact with the water, while the others require 9 seconds or more. The Pelican NaturSoft is unlike any other system on the market. The NaturSoft is made in the USA and is sold only by Pelican Water Technologies.

Another benefit of going with Pelican is the lifespan of the NaturSoft catalytic granules. NaturSoft catalytic granules have been rigorously tested in the real world, used in the commercial industry, and made to be non-sacrificial, therefore it requires no "rest time", and requires no replacement. Other similar technologies require replacement every 3-5 years at costs of \$600-\$1,000 and require you not use their systems for 8 hours a day for proper rest!

Q. Why does the NaturSoft handle 75 grains while others only handle 25 grains of hardness? The NaturSoft's catalytic granular surface is 100% active and grows seed crystals on the entire surface. Other similar technologies only have "growth sites" that are active, leaving more than 70% of the surface inactive.

Q. If the water hardness is tested after the system is installed will the hardness level be different? If the water is tested after the NaturSoft System is installed the hardness level will remain the same or even test slightly harder due to the existing scale being removed from the plumbing.

Q. Do the NaturSoft Systems have any negative effects on the human body? **No**, if your water supply is safe before it enters the NaturSoft System it will be safe after the system. NaturSoft Systems do not add any chemicals to the water therefore there is no harmful effect. NaturSoft Systems leave in the beneficial minerals that are healthy for the human body.

Q. How will the Combo System be shipped? The NaturSoft Systems are shipped via UPS Ground in the highest quality doubled walled box with side cushions and a custom top piece. No expense has been spared to ensure your system arrives in factory fresh condition.

Pelican Water Systems NaturSoft Systems are the only third-party tested DW-9191 certified salt free water softener with 99.6% prevention of scale buildup.



**THIRD PARTY
PERFORMANCE TESTED**

TO DW-9191 - PELICAN NATURSOFT

99.6% SCALE PREVENTION

DVGW W 510 Standard

The DVGW 9191 - Anti-Scale standard uses the worlds strictest guidelines to determine the effectiveness of a system to prevent scale using Worksheet W 510. W510 combines 3 testing requirements that all systems must pass: 1) Structural Integrity, 2) Hygiene Testing (W 270 and KTW tests) and 3) Performance in Scale Prevention (W512). Unlike the NSF acceptable passing level of 50% for performance, the DVGW standard for scale prevention performance (W 512) requires 80% or better to pass. In order to obtain a certification under DW-9191 with test report W 510 you must pass at least 4 separate tests, plus the W 510 requirements. Pelican has passed all 5 requirements to be listed as a DW-9191 certified product.

DVGW W 512 - Performance Testing

The DVGW W 512 standard is the most stringent of its type in the world. In order to be subjected to the most rigorous test standard possible, sparing no expense, we have commissioned to have our equipment performance not tested in the US , but tested by a DVGW certified laboratory in the home country of the standard itself, Germany. The test aims to simulate real life conditions over an exceptionally long period of time using some extremely challenging natural well water.

DVGW W 270 & KTW Assessments - Hygiene Testing

To protect drinking water from microorganisms on non-metallic materials, the DVGW indicated the necessity for adherence to the requirements set out in the DVGW Code of Practice W 270 "The growth of microorganisms on materials intended for use in drinking water systems - examination and assessment!". DVGW also established KTW Assessments which test all plastic parts, coatings, rubber and lubricants to UBA and BGA guidelines to ensure chemicals are not leached into your water.

Why we publish our test data and others do not

True in both Europe and the US, a certification is a pass/fail proposition. The certification states that the applicant has passed and fulfilled the requirements of the standard. Individual test results are not published in either jurisdiction. The reason for that is due to the minimum requirement to pass those tests. For example, NSF 42 requires at least 50% reduction in order to pass. That means a product claiming certification may only remove 50% at the end of filter life. As a result most companies wont publish their test data, fearing the consumer seeing their low results at end of filter life.

Pelican publishes its test data because we acheived a 99.6% scale prevention rating during the entire length of the test. No other salt free system has received a certified rating that high.

Note: Just 1/4" of scale build-up can increase heating costs by 40% or more. Observe the scale build up on the untreated side after only 3 days of operation.



TESTED AND CERTIFIED

NSF / ANSI 61 & 42

[Click here to view our certified claims](#)



© Copyright - PelicanWater.com

Pelican Water Systems NaturSoft Systems are WQA Certified to NSF Standard 61 for material safety and tested to NSF 42 for structural integrity only, making them certified in California and all other states.

A salt free water softener is any device, substance or process that when applied will result in any, or all of the following benefits to varying degrees in the areas of scale reduction, improved cleaning / housekeeping and subjective improvements in personal care without the use of sodium/potassium chloride.

About the Water Quality Association (WQA)

The Water Quality Association (WQA) is a not-for-profit international trade association representing the residential, commercial, industrial, and small community water treatment industry. WQA maintains a close dialogue with other organizations representing different aspects of the water industry in order to best serve consumers, government officials, and industry members. WQA is a resource and information source, a voice for the industry, an educator for professionals, a laboratory for product testing, and a communicator to the public.

About the WQA Gold Seal Certification Program

The Water Quality Association's Gold Seal Certification Program is dedicated to providing public health and safety services throughout the USA and globally, while maintaining expert service, superior reputation, and fair pricing. The Gold Seal Program offers certification of all products and chemicals that contact drinking water.